



GAI-TRONICS®
A HUBBELL COMPANY

Remote HUBBCOM™ Relay Kit

Model 12841-001

Confidentiality Notice

This manual is provided solely as an installation, operation, and maintenance guide and contains sensitive business and technical information that is confidential and proprietary to GAI-Tronics. GAI-Tronics retains all intellectual property and other rights in or to the information contained herein, and such information may only be used in connection with the operation of your GAI-Tronics product or system. This manual may not be disclosed in any form, in whole or in part, directly or indirectly, to any third party.

General Information

The Model 12841-001 Remote HUBBCOM Relay Kit provides two form C outputs and two solid-state contact inputs. The relay enables remote actuation and input sensing for use with HUBBCOM stations. This kit includes the following components:

Qty	Description
1	USB I/O expander PCBA
1	wall mounting plate, North American
2	screw, 6-32 × 7/16-inch, slotted oval head
4	standoff, 4-40 × 3/4-inch, nylon
4	screw, 4-40 × 1/4-inch PHMS
1	USB Cable, 5-foot

Installation

The Remote HUBBCOM Relay Kit is designed to be mounted in a (customer supplied) non-metallic single-gang electrical box:

1. Install the four standoffs to the studs on the rear of the wall mounting plate.
2. Torque the standoffs to 6 in·lb maximum.
3. Align the USB I/O Expander PCBA over the four standoffs on the plate.
4. Secure the PCBA with the four screws provided (see [Figure 1](#)).
5. Torque the screws to 6 in·lb maximum.

The USB I/O Expander PCBA provides terminal blocks for field wiring the I/O circuits.

6. Strip ¼ inch of insulation and install ferrules or tin the wire ends before insertion in the terminal blocks.
7. Terminate all wires to terminal blocks TB1 and TB2 (see [Figure 2](#), [Table 1](#), and [Table 2](#)).

8. Install the wall mounting plate with PCBA to a single-gang box using the supplied oval-head screws (see [Figure 3](#)).

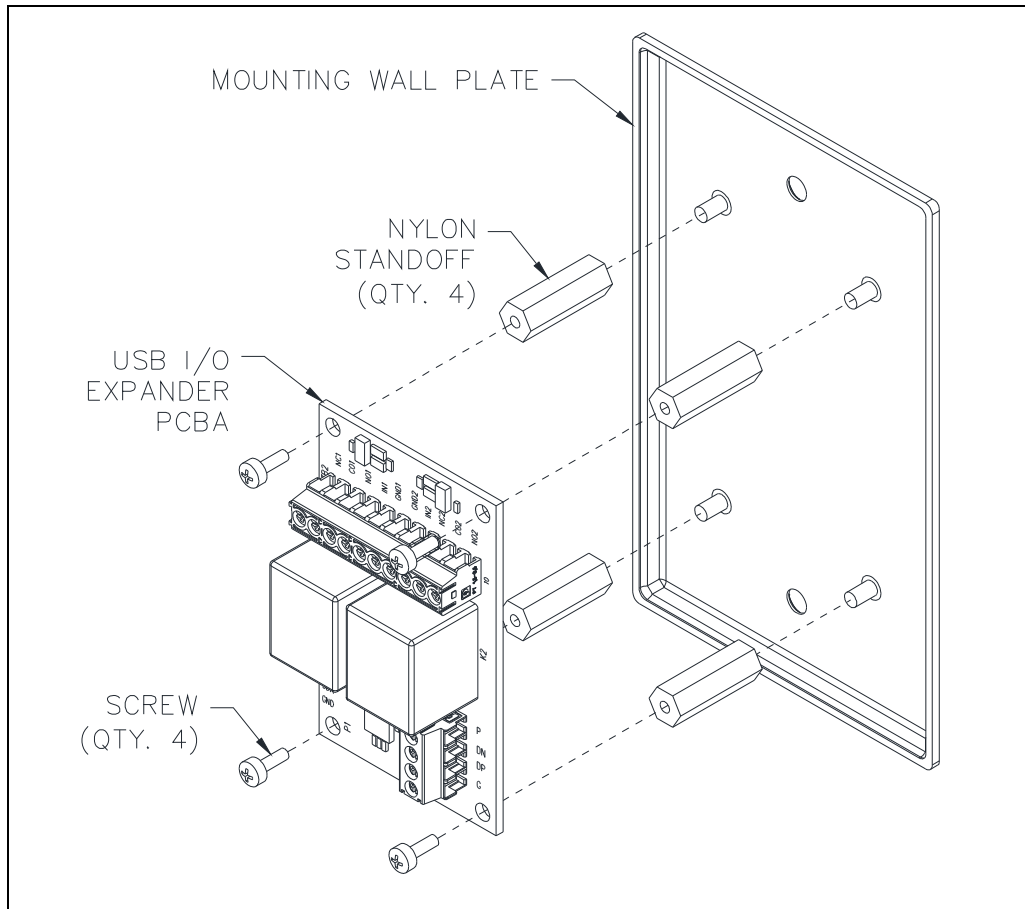


Figure 1. PCBA to Wall Mounting Plate Assembly

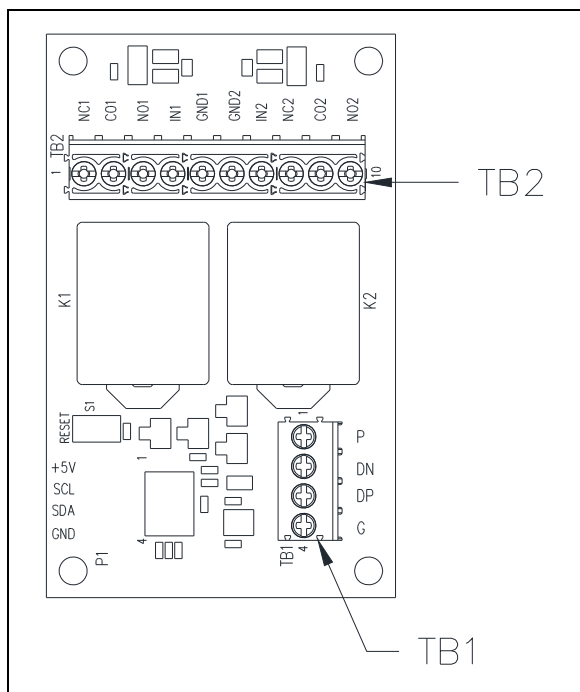


Figure 2. USB I/O Expander PCBA

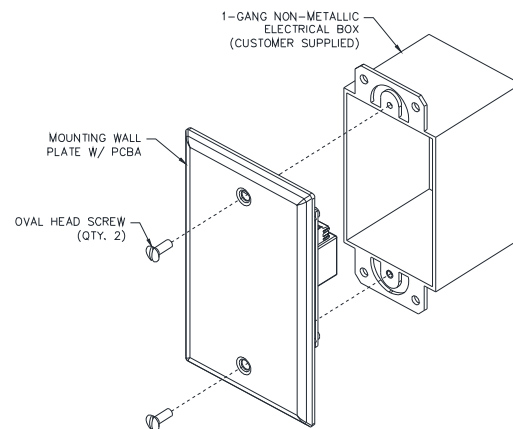


Figure 3. Wall Mounting Plate to Single Gang Box Installation

Table 1. Terminal Block TB1 Pinout

Pin	Function
1	Power
2	Data-
3	Data+
4	Ground

Table 2. Terminal Block TB2 Pinout

Pin	Direction	Function
1	Output	Normally Closed Contact One
2	Output	Common Contact One
3	Output	Normally Open Contact One
4	Input	Input One +
5	Input	Input One Ground
6	Input	Input Two Ground
7	Input	Input Two +
8	Output	Normally Closed Contact Two
9	Output	Common Contact Two
10	Output	Normally Open Contact Two

Specifications

Electrical

Power

USB 2.0 Compliant

Inputs

Quantity 2
Internal pull-up 5.0 V dc tolerant

Outputs

Quantity 2
Maximum load current (each output).....7 A @ 28 V ac/dc (24 W maximum) resistive load

Mechanical

Construction..... stainless steel front panel
Dimensions4.50 H ×2.75 W × 1.48 D in (114.3 × 69.9 × 37.6 mm)
Weight..... 0.20 lb (0.09 kg)

Approvals

EMC.....EN 55032 CISPR 32 Class B
EN 55035 CISPR 35 Immunity
CFR 47 Part 15B Class B
ICES-003 Class B

Warranty

Equipment. GAI-Tronics warrants for a period of one (1) year from the date of shipment, that any GAI-Tronics equipment supplied hereunder shall be free of defects in material and workmanship, shall comply with the then-current product specifications and product literature, and if applicable, shall be fit for the purpose specified in the agreed-upon quotation or proposal document. If (a) Seller's goods prove to be defective in workmanship and/or material under normal and proper usage, or unfit for the purpose specified and agreed upon, and (b) Buyer's claim is made within the warranty period set forth above, Buyer may return such goods to GAI-Tronics' nearest depot repair facility, freight prepaid, at which time they will be repaired or replaced, at Seller's option, without charge to Buyer. Repair or replacement shall be Buyer's sole and exclusive remedy. The warranty period on any repaired or replacement equipment shall be the greater of the ninety (90) day repair warranty or one (1) year from the date the original equipment was shipped. In no event shall GAI-Tronics warranty obligations with respect to equipment exceed 100% of the total cost of the equipment supplied hereunder. Buyer may also be entitled to the manufacturer's warranty on any third-party goods supplied by GAI-Tronics hereunder. The applicability of any such third-party warranty will be determined by GAI-Tronics.

Services. Any services GAI-Tronics provides hereunder, whether directly or through subcontractors, shall be performed in accordance with the standard of care with which such services are normally provided in the industry. If the services fail to meet the applicable industry standard, GAI-Tronics will re-perform such services at no cost to buyer to correct said deficiency to Company's satisfaction provided any and all issues are identified prior to the demobilization of the Contractor's personnel from the work site. Re-performance of services shall be Buyer's sole and exclusive remedy, and in no event shall GAI-Tronics warranty obligations with respect to services exceed 100% of the total cost of the services provided hereunder.

Warranty Periods. Every claim by Buyer alleging a defect in the goods and/or services provided hereunder shall be deemed waived unless such claim is made in writing within the applicable warranty periods as set forth above. Provided, however, that if the defect complained of is latent and not discoverable within the above warranty periods, every claim arising on account of such latent defect shall be deemed waived unless it is made in writing within a reasonable time after such latent defect is or should have been discovered by Buyer.

Limitations / Exclusions. The warranties herein shall not apply to, and GAI-Tronics shall not be responsible for, any damage to the goods or failure of the services supplied hereunder, to the extent caused by Buyer's neglect, failure to follow operational and maintenance procedures provided with the equipment, or the use of technicians not specifically authorized by GAI-Tronics to maintain or service the equipment. **THE WARRANTIES AND REMEDIES CONTAINED HEREIN ARE IN LIEU OF AND EXCLUDE ALL OTHER WARRANTIES AND REMEDIES, WHETHER EXPRESS OR IMPLIED BY OPERATION OF LAW OR OTHERWISE, INCLUDING ANY WARRANTIES OF MERCHANTABILITY OR FITNESS FOR A PARTICULAR PURPOSE.**

Return Policy

If the equipment requires service, contact your Regional Service Center for a return authorization number (RA#). Equipment should be shipped prepaid to GAI-Tronics with a return authorization number and a purchase order number. If the equipment is under warranty, repairs or a replacement will be made in accordance with the warranty policy set forth above. Please include a written explanation of all defects to assist our technicians in their troubleshooting efforts.

Call 800-492-1212 (inside the USA) or 610-777-1374 (outside the USA) for help identifying the Regional Service Center closest to you.